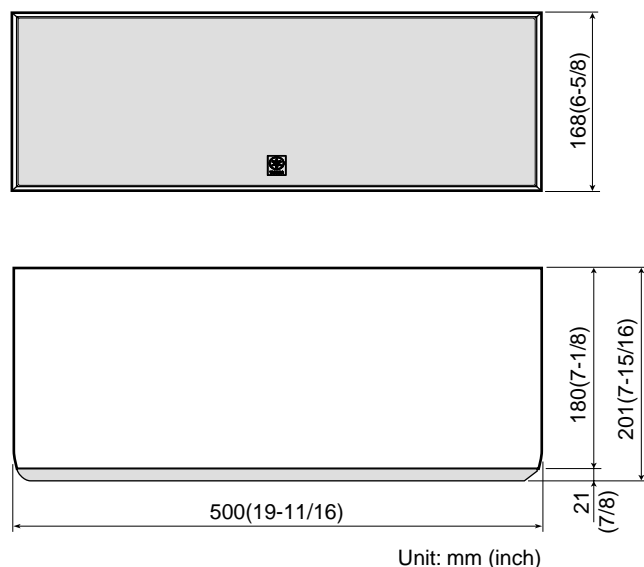


SPEAKER SYSTEM NS-C200

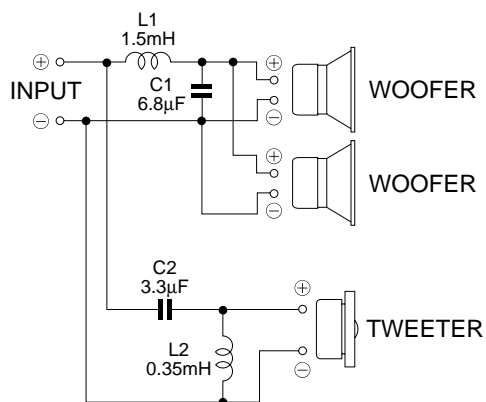
SERVICE MANUAL

NS-C200

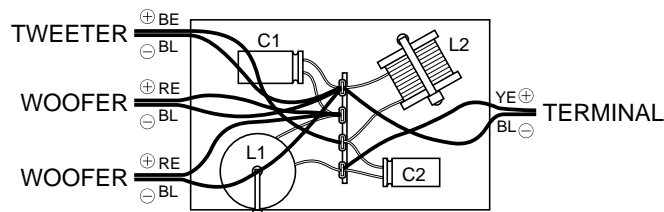
■ DIMENSIONS



■ NETWORK CIRCUIT DIAGRAM



■ WIRING DIAGRAM



■ SPECIFICATIONS

Type	2-way 3-speaker bass reflex (Magnetic shielding)
Speaker Unit	
Woofer	13 cm (5.1") cone x 2
Tweeter	3 cm (1") dome
Frequency Response	57 Hz – 35 kHz
Impedance	6 ohms
Nominal Input Power	100 W
Maximum Input Power	300 W

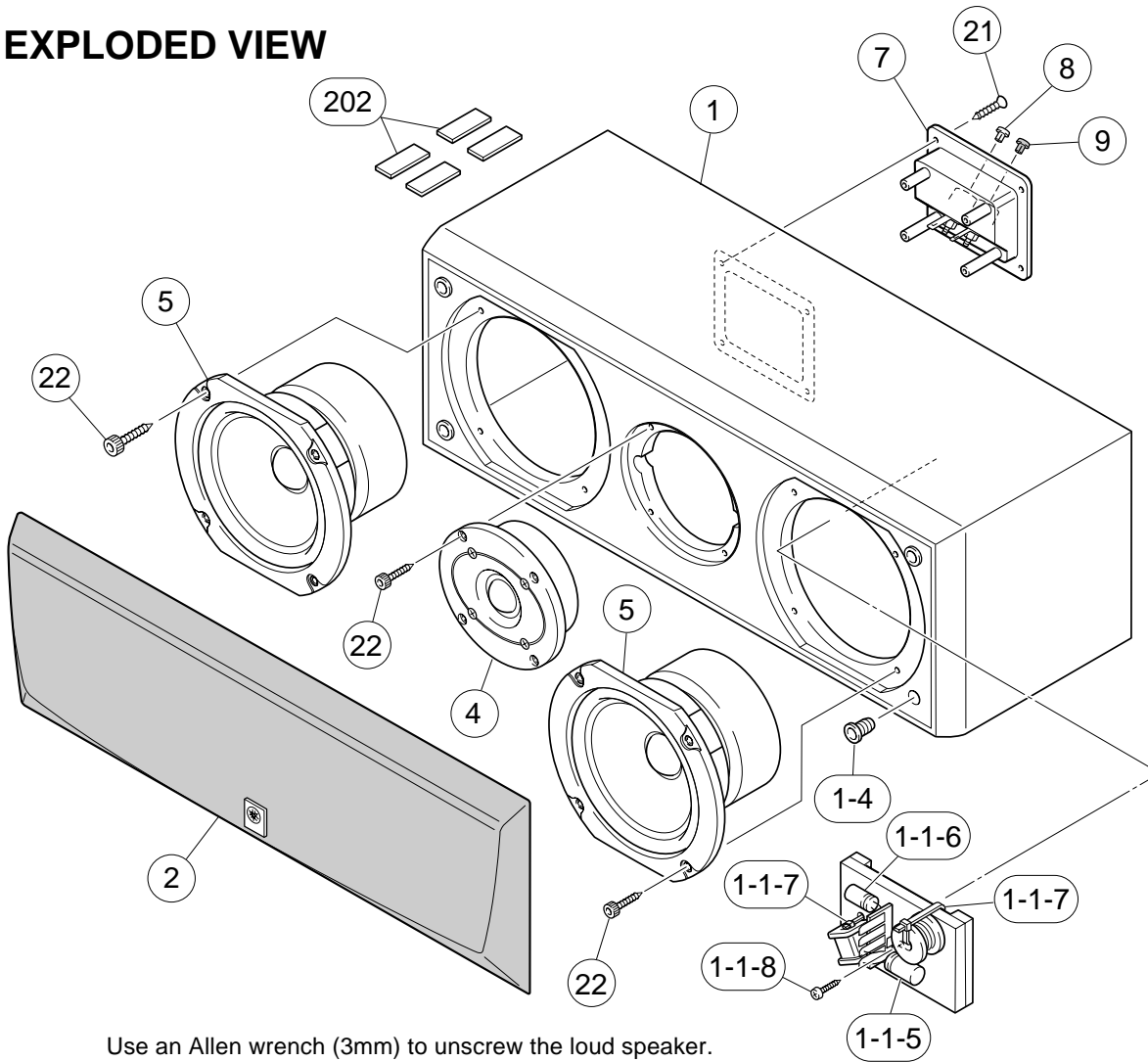
Sensitivity	90 dB/2.83 V/m
Crossover Frequency	3 kHz
Input Terminal	Screw / Banana type
Dimensions (W x H x D)	500 x 168 x 201 mm (19-11/16" x 6-5/8" x 7-15/16")
Weight	7.0 kg (15 lbs. 7 oz.)
Finish	Cherry / Black
Accessories	Velcro strips x 4

* Specifications are subject change without notice due to product improvements.



このサービスマニュアルは、エコマーク認定の再生紙を使用しています。
This Service Manual uses recycled paper.

EXPLODED VIEW



Use an Allen wrench (3mm) to unscrew the loud speaker.

PARTS LIST

Ref. No.	PART NO.	Description	Remarks	Markets	
*	1	V5567300	CABINET ASS'Y	CH	
*	1	V5567400	CABINET ASS'Y	BL	
*	1-1-5	V5370100	ELECTROLYTIC CAP	6.8uF 63V	
*	1-1-6	V6367500	ELECTROLYTIC CAP	3.3uF 63V	
	1-1-7	CB818540	BINDING TIE	T-30RF-2	
	1-1-8	EP030200	BIND HEAD TAPPING SCREW	3x8 ZMC2-Y	
	1-4	CB605250	HOLDER		
*	2	V5567500	FRONT GRILLE ASS'Y	CH	
*	2	V5567600	FRONT GRILLE ASS'Y	BL	
*	4	XW232A00	LOUD SPEAKER	3cm 6Ω 50W	
*	5	XY380A00	LOUD SPEAKER	13cm 12Ω 30W	
	7	V5361300	SPEAKER TERMINAL	2P	
	8	V5361400	TERMINAL CAP	S06E RED	
	9	V5361500	TERMINAL CAP	S06E BLACK	
	21	V5537900	OVAL HEAD TAPPING SCREW #1	3.5x16 MFZN2BL	
	22	V5537800	HEXAGON SOCKET TAPPING SCREW	4x20 MFZN2BL	
	202	V4903800	ACCESSORIES VELCRO STRIP	x 4	

* New Parts